

Smart Device 2000

Ai Super-Precision Human Body Temperature Measuring

And Face Recognition Machine

Product Overview

Fk02 GYW AI ultra-precision human body temperature measuring face recognition machine is with high-performance, high-reliability. Based on infrared thermal imaging technology and relying on deep learning algorithms, it has fast recognition speed, high accuracy, and fast Capture the face information for a 1: N comparison. During face recognition, the human body temperature will be collected for temperature measurement. It can be used with personnel passages to achieve the rapid movement of personnel and the control of entry and exit of personnel, maximizing the efficiency of epidemic prevention.

Product Advantages

- 1-The Traditional Temperature Measuring Gun Needs To Be Held By A Person, And The Efficiency Is Low;
- 2-All-in-one Face Temperature Measuring Machine, Automatic Temperature Measurement By Facial Scanning, Saving Manpower And Improving The Efficiency;
- 3-Among Mobile People, People Without Masks Can Be Accurately Detected;
- 4-By facial scanning, it can automatically record personal information and check the records of relevant people going in and going out, so that it is convenient for personnels to be checked again;
- 5-Automatically record abnormal temperature information of the human body and automatically count relevant person;
- 6-Adopt deep learning algorithm, support 30,000 face database, 200ms speed recognition, to achieve the rapid movement of personnel;
- 7-Support data network upload, the device comparison results and snapped photos can be uploaded to the platform for real-time storage, and data can be continuously uploaded even if the network is off.

Product Parameter

Product type: intelligent terminal 2000 series

Product model: FK02GYW

Camera: 2 million cameras

Operating system: Linux

Display: 7 inch IPS hd 1024* 600,300 CD /m2

Hardware interface: RS485, RS232, RJ45, relay output

Fill light lamp: infrared fill light, white light fill light

Rated voltage: dc 12V input

Panel size: 219x111x21.5mm

Stand size: 33x189mm

Algorithm Capabilities

Temperature measuring distance: 0.5-1.0 m 0.75 m is the best

Face recognition distance: 0.5-2.2 m

Temperature error: temperature $\pm 0.3^{\circ}\text{C}$

Human face capacity: 30,000

Identification accuracy: 99.5%

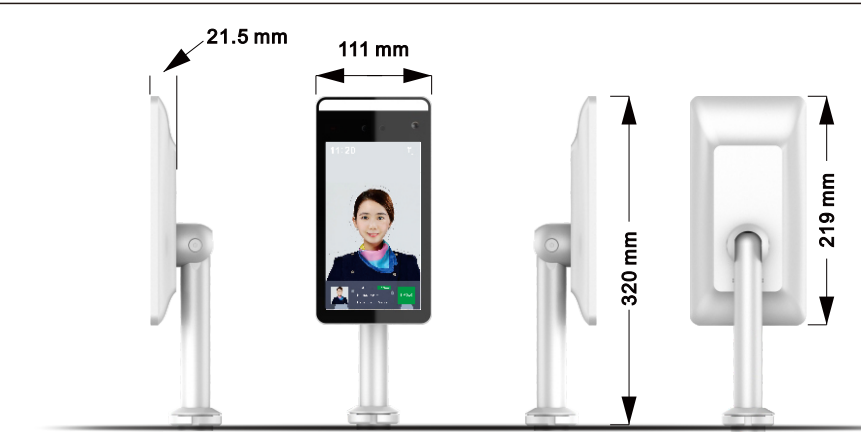
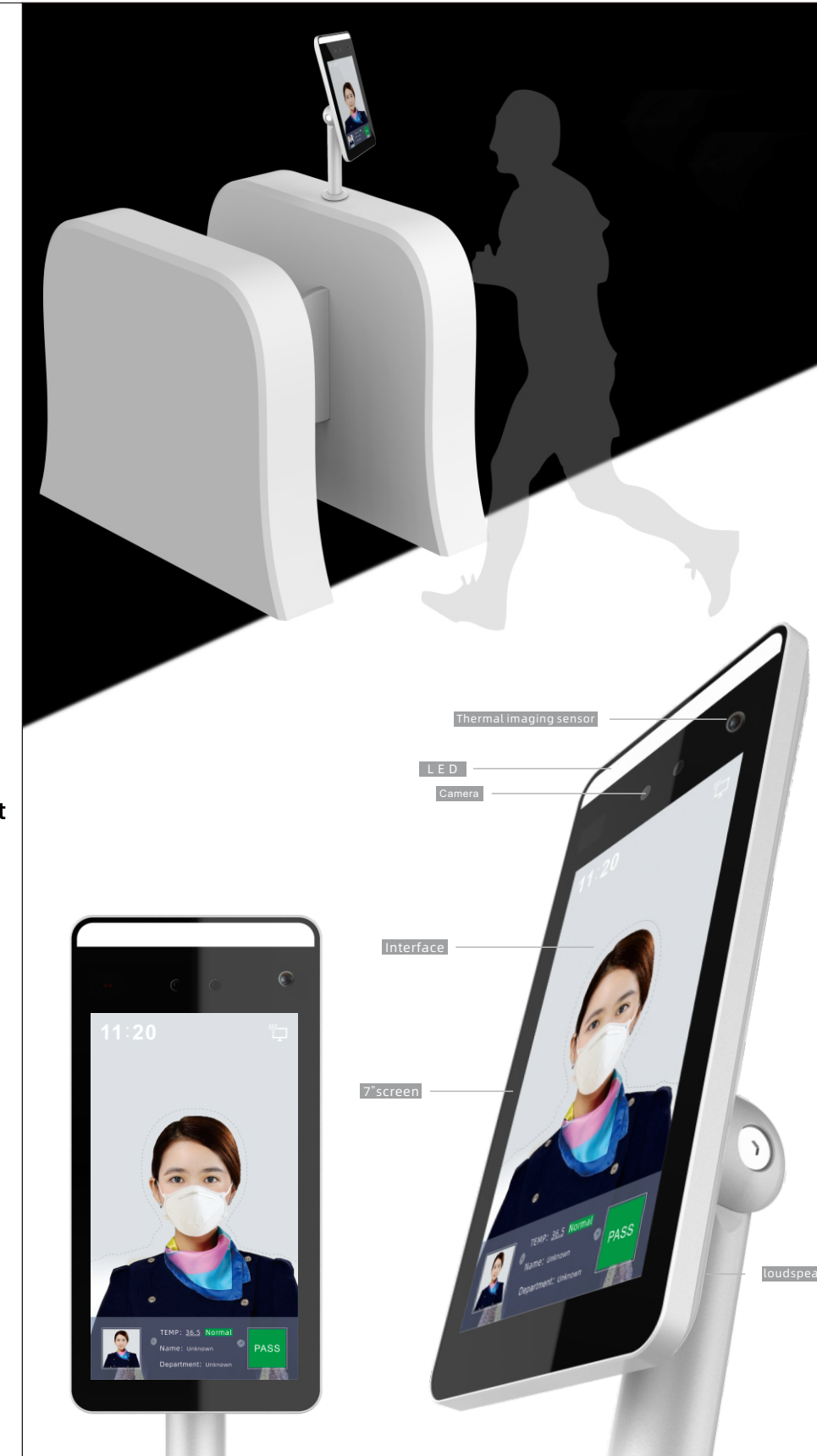
Recognition speed: approx. 200ms

Work Environment

Installation scene: school, community, construction site, government, office building, etc

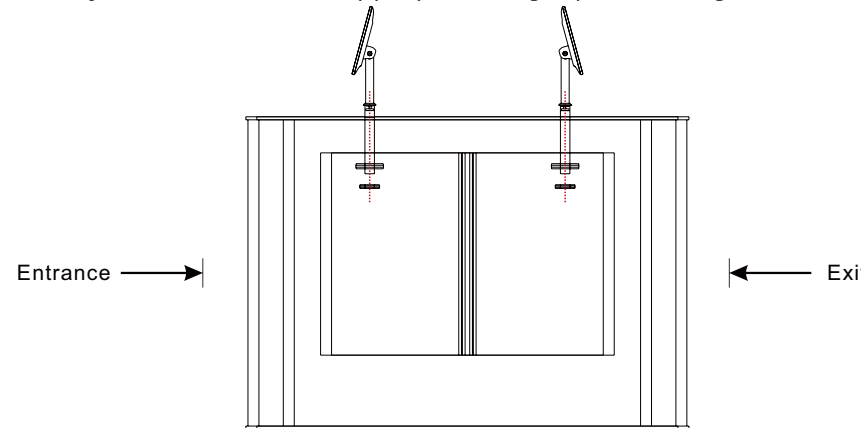
Operating temperature: -20°C - 60°C

Working humidity: 10%-90% no condensation

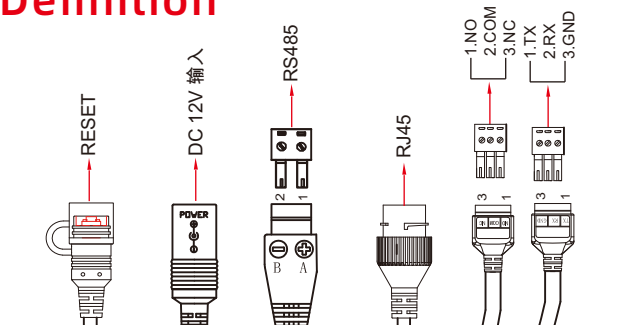


Equipment Installation

1. Open a hole with a diameter of $D = 35\text{mm}$ on the turnstile gate, and the recommended position of hole is on the 1/3 to 1/4 of the turnstile gate near to the entrance end ;
2. Insert the bracket of the ALL-IN-ONE Face temperature measuring machine into the hole of the turnstile gate, and fix the device nut from the inside of the Turnstile gate ;
3. Adjust the device to an appropriate angle (vertical angle of 5° - 15°);



Wire Definition



Project case

Chongqing government press release center

Fujian Internet of things scientific research institute

Guangxi hezhou east railway station

Guangxi qinzhou east railway station

Guangzhou baiyun district government

Guangzhou traffic group

Guangzhou tianhe district central primary school

Guangdong stomatological hospital

Affiliated stomatological hospital of sun yat-sen university

Cooperative Partner

